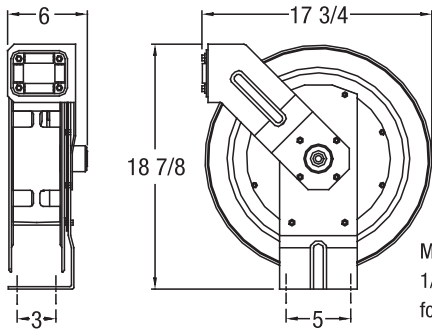


HOSETRACT

HOSE REELS

Inlet — 1/2" FPT Max. Temp. — 200°F



Mounting Slots
1/2" wide x 3/4" deep
for max 7/16" dia. bolt

Reels shipped standard of hose payout position. For ceiling mount add suffix sc.

US Patent Number
6,978,960



For 3/8" Hose I.D.

Unitract™ Nitrogen Delivery Hose Reel

With all the features of the compact, low cost user friendly Unitract Series

- Parker high performance push loc hose
- Hose ends can be easily changed in field with no crimping
- Green for easy identification
- Standard flexible 3/8" ID with flame resistant neoprene cover and nitrogen impervious blended nitrile tube

FEATURES

- Weighs 10 lbs. less than our standard reels
- Simple design incorporates fewer parts
- Unitized multi-functional hub arbor
- Single set screw to access latch area and spring case
- 8 Position guide arm
- Heavy gauge base with no welds
- Minimal size envelope permits installation where space is a factor

Model Number	Operating Pressure	Hose I.D.	Hose Length	Shipping Weight
UTL-350NG	300 PSI	3/8 IN.	50 FT.	41#



MADE IN THE U.S.A.

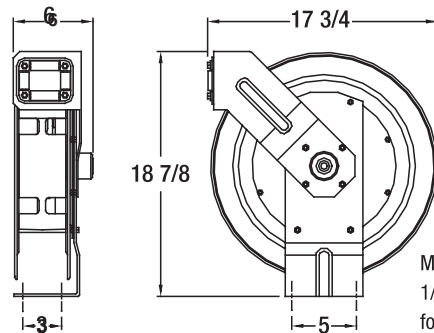
HOSETRACT

HOSE REELS



Reels shipped standard of hose payout position. For ceiling mount add suffix sc.

Inlet — 1/2" FPT Max. Temp. — 200°F



Mounting Slots
1/2" wide x 3/4" deep
for max 7/16" dia. bolt



For 3/8" and 1/2" Hose I.D.

Unitract™ Series

LOW PRESSURE reels are ideally suited for plant maintenance or many other industrial functions where hose storage is a problem. Standard hose for air, water and oxygen/acetylene applications. Hose can be dispensed and retracted with greater ease and expedience than coiling by hand. The Unitract™ series fits easily into height restricted areas, and is a lighter duty reel. Not designed for truck mount applications.

FEATURES

- Weighs 10 lbs. less than our standard reels
- Unitized multi-functional hub arbor
- 8 Position guide arm
- Minimal size envelope permits installation where space is a factor
- Simple design incorporates fewer parts
- Single set screw to access latch area and spring case
- Heavy gauge base with no welds

Model Number	Operating Pressure	Hose I.D.	Hose Length	Shipping Weight
UTL-300*	1000 PSI	3/8 IN.	—	36#
UTL-325	300 PSI	3/8 IN.	25 FT.	38#
UTL-330	300 PSI	3/8 IN.	30 FT.	38#
UTL-335	300 PSI	3/8 IN.	35 FT.	40#
UTL-340	300 PSI	3/8 IN.	40 FT.	41#
 UTL-350	300 PSI	3/8 IN.	50 FT.	41#
UTL-500*	1000 PSI	1/2 IN.	—	36#
UTL-540	300 PSI	1/2 IN.	40 FT.	43#
 UTL-550	300 PSI	1/2 IN.	50 FT.	47#

* Models without hose.

