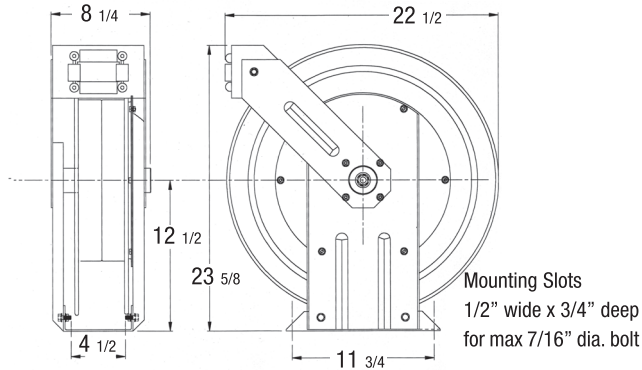


HOSETRACT

HOSE REELS

LG & MG — Inlet 1/2" FPT Max. Temp. — 200°F
 HG — Inlet 3/8" FPT



Reels shipped standard
 of hose payout position.
 For ceiling mount add
 suffix sc.

Standard Black
 Powder Coat



For 3/8" and 1/2" Hose I.D. - Heavy Duty • Dual Base • Dual Guide Arm

G Series

LOW PRESSURE reels are ideally suited for plant maintaining, service trucks or many other industrial functions where hose storage is a problem. Standard hose for air, water, and antifreeze solutions. Other hoses available upon request.

| Model Number | Operating Pressure | Hose I.D. | Hose Length | Shipping Weight |
|--------------|--------------------|-----------|-------------|-----------------|
| LG-300* | 1000 PSI | 3/8 IN. | — | 75# |
| LG-375 | 300 PSI | 3/8 IN. | 75 FT. | 90# |
| LG-3100 | 300 PSI | 3/8 IN. | 100 FT. | 95# |
| LG-500* | 1000 PSI | 1/2 IN. | — | 75# |
| LG-550 | 300 PSI | 1/2 IN. | 50 FT. | 85# |
| LG-575 | 300 PSI | 1/2 IN. | 75 FT. | 95# |

MEDIUM PRESSURE reels are required when higher pressures are involved for air, water, or heavier oils. Standard 1-wire braid hose furnished.

| | | | | |
|---------|----------|---------|--------|-----|
| MG-300* | 4000 PSI | 3/8 IN. | — | 75# |
| MG-375 | 2500 PSI | 3/8 IN. | 75 FT. | 90# |
| MG-500* | 4000 PSI | 1/2 IN. | — | 75# |
| MG-550 | 2500 PSI | 1/2 IN. | 50 FT. | 85# |
| MG-575 | 2500 PSI | 1/2 IN. | 75 FT. | 95# |

HIGH PRESSURE reels are used exclusively where grease is being applied as in lube applications for off-road service or garage lube systems. Standard 2-wire braid hose furnished.

| | | | | |
|---------|----------|---------|---------|-----|
| HG-2100 | 5000 PSI | 1/4 IN. | 100 FT. | 90# |
| HG-300* | 8000 PSI | 3/8 IN. | — | 75# |
| HG-350 | 5000 PSI | 3/8 IN. | 50 FT. | 85# |
| HG-375 | 5000 PSI | 3/8 IN. | 75 FT. | 90# |

* Models without hose.



HOSETRACT 